

[TopPage](#)>>[Search Result](#)>>7303DB

Angular Contact Ball Bearings

Bearing No. : **NACHI 7303DB**

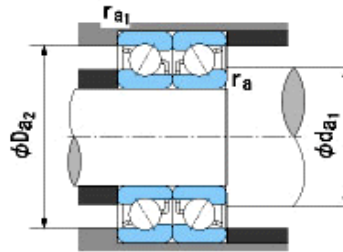
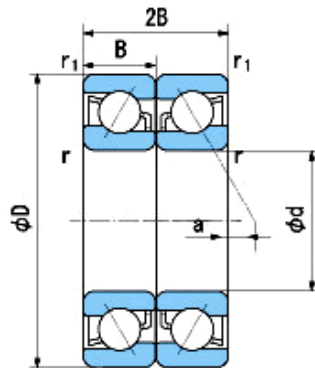
■ Bearing Type

■ Clearance

■ Tolerance Class

Dimensions

d = 17⁰_{-0.008}
 D = 47⁰_{-0.011}
 B = 14⁰_{0.000}
 r = 1~1.5
 (Radial Direction)
 r = 1~3
 (Axial Direction)
 r1 = 0.6~1
 (Radial Direction)
 r1 = 0.6~2
 (Axial Direction)
 a = 2.2



Dimensions

da1(min) = 23
 da2(min) = 21
 Da1(max) = 41
 Da2(max) = 43.4
 ra(max) = 1
 ra1(max) = 0.6
 Mass = 0.24 kg

Basic Dynamic Load Rating Cr : **25,900** N
 Basic Static Load Rating Cor : **17,300** N
 Limiting Speed ;
 Grease Lubrication : **11,000** min⁻¹
 Oil Lubrication : **15,000** min⁻¹

	INNER RING	OUTER RING
O.D.Surface Runout with Side :		-
Axial Runout with Bore :	-	-
Axial Runout with Raceway :	-	-
Width Variation :	0.020	0.020
Radial Runout :	0.010	0.020